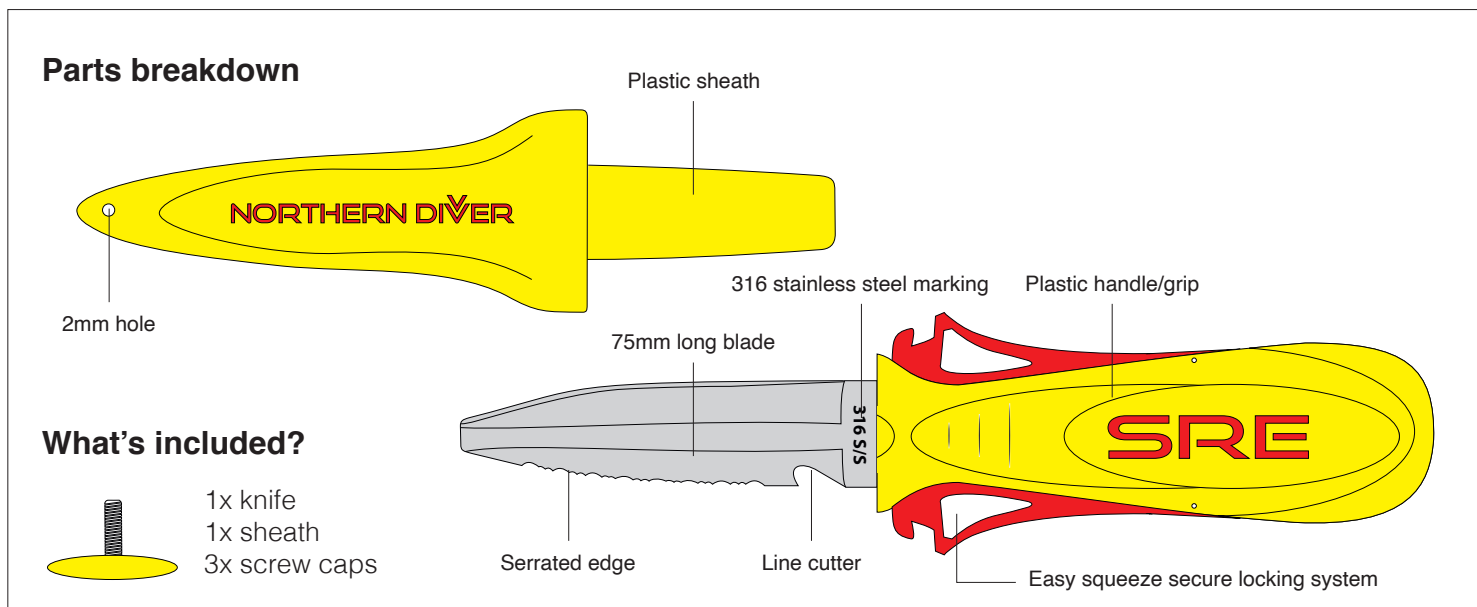


# SQUEEZE LOCK KNIFE

# USER MANUAL



## Thank you for your purchase

Check you have received all parts as listed to the right. Should you require any assistance contact Northern Diver and we would be happy to help, contact details can be found at the bottom of this page.

**Warning - this knife is extremely sharp and can inflict serious injury. Keep out of childrens reach.**

## Care and maintenance

Rinse the knife and sheath with fresh water after contact with salt/contaminated waters

Leave to dry naturally or lightly towel dry

Store in a dry place, away from wet equipment

Rub the blade with steel wool to remove any signs of corrosion

### **CAUTION!**

**DO NOT attempt to disassemble the knife for cleaning**

## Locking mechanism operation

To remove the knife from the sheath grip the knife handle and squeeze the red side wings together with your thumb and index finger to release the secure locking system. You can then remove the knife from the sheath.

To house the knife in the sheath: insert the knife into the sheath until it locks into place. You will hear a click as the knife secures in place. The knife can be house inside the sheath facing either side.

## Warranty information

All Northern Diver knives carry a 12 month manufacturer warranty. Includes the knife to be free from defects in material and/or workmanship under normal scuba/in-water use provided the proper care and maintenance has been performed as instructed. Warranty does not cover damage from accident, abuse, tampering, lack of maintenance, theft or loss. In the event of a warranty claim please download a returns form from our website, [www.ndiver-rescue.com](http://www.ndiver-rescue.com), fill in the form and return to the specified address.

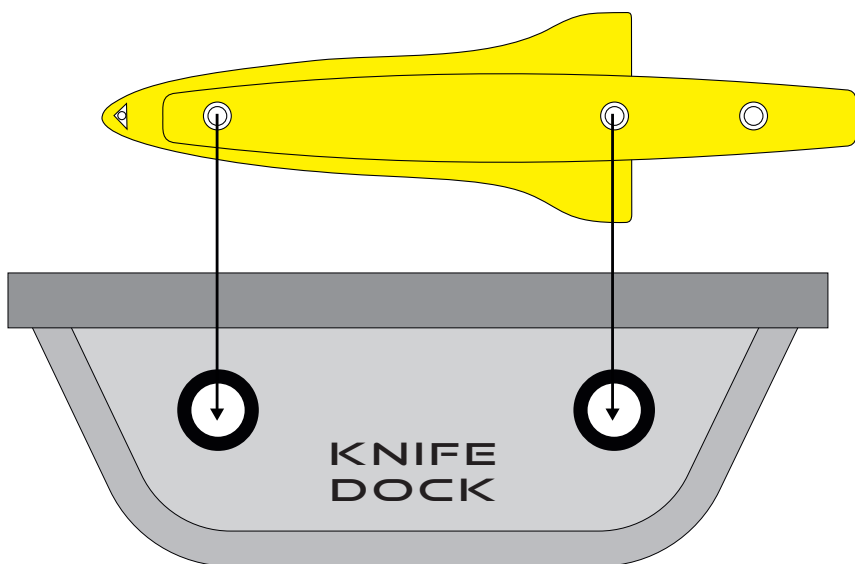
# SQUEEZE LOCK KNIFE

## USER MANUAL

### Attaching to knife dock on Northern Diver BCD range



1. Remove the yellow plastic back plate from the back of the sheath  
This is not needed when attaching to a BCD



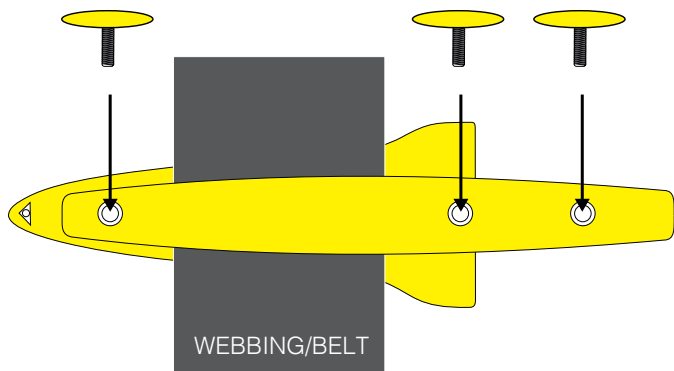
2. Position the sheath over the eyelets on the knife dock
3. Screw in the caps from inside the BCD pocket

### We suggest . . .



When attaching the knife to your kit we suggest to use Loctite Threadlocker to secure and prevent loosening

### Attach to webbing



1. Unscrew all 3x plastic screw caps from the sheath
2. Gently lift back of sheath
3. Position webbing inbetween screw holes
4. Screw in each of the 3x plastic screw caps to secure